



**For FA/Machine Vision  
Fixed Focal**

# HF12.5HA-1B

Applicable camera (model)

1	2/3	1/2	1/3	1/4

**FIXED**  
Fixed Focal

**1.5 Mega**  
For Megapixel  
Camera

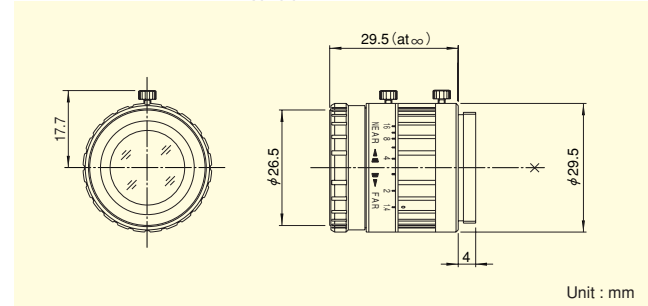
**MANUAL**  
Manual Iris

**C-mt**  
C Mount

**METAL**  
Metal Mount



- Design achieving the high resolution, supporting up to 1.5 mega pixel cameras
- Designed for low distortion, enabling faithful image input
- Compact, lightweight and robust design, supporting various systems
- Focus & iris lock tab provided, supporting environments such as vibration



Focal Length (mm)		12.5
Iris Range		F1.4 ~ F16
Operation	Focus	Manual
	Iris	Manual
Angle Of View (H×V)	2/3"	38°47' × 29°35'
	1/2"	28°43' × 21°44'
	1/3"	21°44' × 16°23'
Focusing Range (From Front Of The Lens) (m)		∞ ~ 0.1
Object Dimensions at M.O.D. (H×V) (mm)	2/3"	78 × 58
	1/2"	57 × 42
	1/3"	42 × 32
Back Focal Distance (in air) (mm)		15.09
Exit Pupil Position (From Image Plane) (mm)		-31.3
Filter Thread (mm)		M25.5 × 0.5
Mount		C
Mass (g)		45

- Remarks
- With Metal Mount
  - With Locking Knob for Iris and Focus

FIXED FOCAL LENGTH LENSES