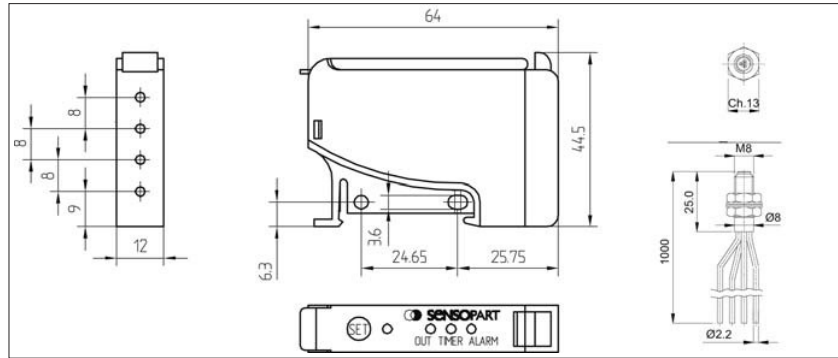


Mounting components page 183
 Connector cables page 197

FL 64 C



- Working range proximity switch:
 5 ... 15 mm
- 3 light sources (RGB)
- 1 colour channel
- Switching frequency 500 Hz
- Dynamic Teach-in and remote teach functions
- Control input for cable devices
- DIN rail mounting
- Timer function
- Optical fiber included, \varnothing of head M5



Working range [mm]	5 ... 15	5 ... 15
Operating voltage range	10 ... 30V DC	10 ... 30V DC
Light source red [nm]	LED 660	LED 660
Light source green [nm]	LED 525	LED 525
Light source blue [nm]	LED 470	LED 470
Termination	cable	plug M8 4-pin
Switching frequency [Hz]	550	550
Output function	-	-
Signal output	PNP	PNP
Current consumption no load [mA]	100	100
Output current [mA]	100	100
Protection standard	IP65	IP65
Teach-in	yes	yes
Control input	yes	no
Diameter of fiber optics [mm]	2.2	2.2
Casing material	polycarbonate	polycarbonate
Ambient temperature range	0 ... +60 °C	0 ... +60 °C

Order type **FL 64 C-PSTK6** **FL 64 C-PSTM4**

